

## Concealed two-way diverter -

---

35 202 970

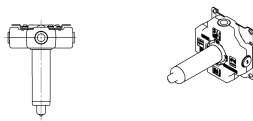
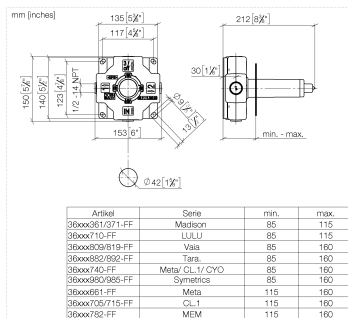


- red brass, lead-free
- 1x male 1/2" connector
- 2x female thread 1/2" outlet
- cut-to-length spindle and sleeve
- dust cover
- anti-water packing
- soundproofing

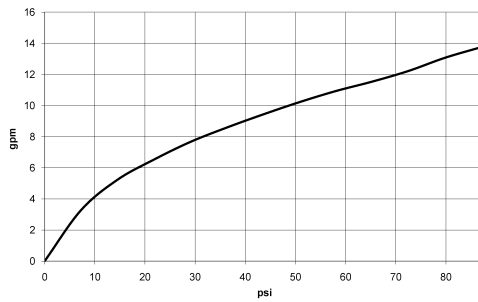
NOTE: Important for certain series!  
Due to minimum rough-in requirements, a framing  
of 2x6 studs is needed.

## Concealed two-way diverter -

35 202 970



## Flow rate chart

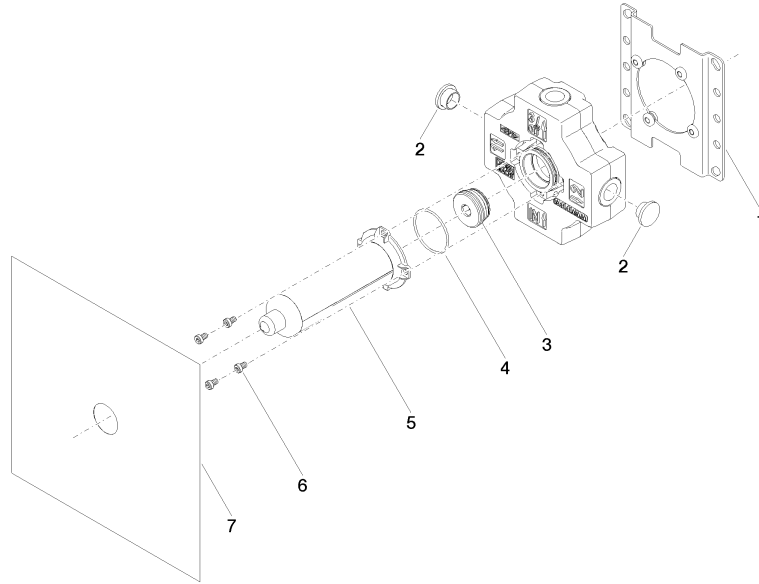


## Certificates

IAPMO\_4976 (7).

**Concealed two-way diverter -**

35 202 970



**Spare parts list**

No.	Item Number	Name	Quantity used	Delivery time
1	04 17 20 252 00 90	base	1	60
2	09 31 20 092 90	plug	4	2
3	90 31 20 131 00 90	plug	1	2
4	09 14 10 210 90	seal	1	2
5	04 21 02 180 10 90	cap	1	2
6	09 30 30 112 90	screw	4	2
7	04 14 03 116 00 90	gasket kit	1	2